

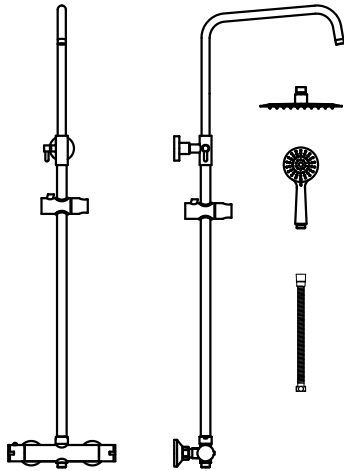
USER MANUAL



Thank you for choosing Better Bathrooms.
Please read this manual before installing your product
and keep for future reference.

better
bathrooms

Product name - Thermostatic Mixer Cool Touch Bar Shower With Handset



Please note: Image is for illustrative purposes only and may differ slightly to the actual product.

- **Single-person assembly**
- **We always recommend using professional tradespeople to install your product**

V1_16.03.2024

1

Congratulations on your purchase

And welcome to our growing gang of savvy shoppers

We're on a mission to bring you extraordinary bathroom products, for less. From modern to traditional style ceramics, plus the gorgeous fixtures, fittings and furniture to match. So, you can fall in love with your space every single day.

As one of the UK's largest independent bathroom stores, we've received countless awards; including the National Business Awards UK, the Digital Entrepreneur Awards and being placed on The Sunday Times Fast Track 100.

We hope your new product exceeds your highest expectations. However, if you experience any problems, please:

- log in to your account and contact our customer services team via your self-serve portal betterbathrooms.com/CustomerAccount/Login.
- contact us via betterbathrooms.com/content/contact-us.

Important information

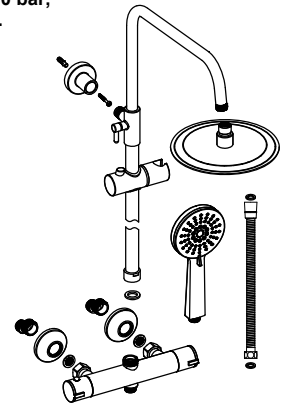
• Please read these instructions thoroughly and retain for future reference
Water pressures must be balanced. Always ensure to flush the system prior to installation.

Min Pressure: 0.5 bar, Max Pressure: 10 bar,
Recommended Range 1 bar and 5 bar.

Hot Supply Temperature: 55-65 °C

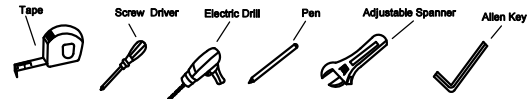
Cold Supply Temperature: 5-25 °C

Parts / Diagrams



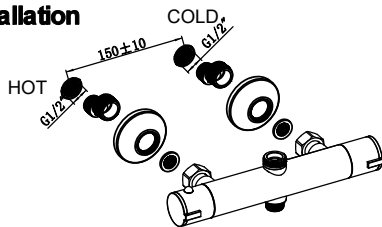
Tools required

- Spanner
- Protective cloth



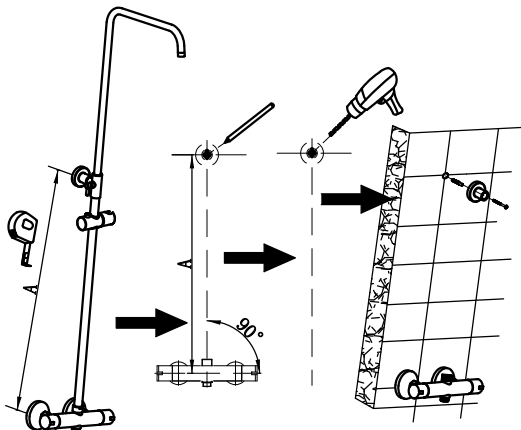
2

Installation



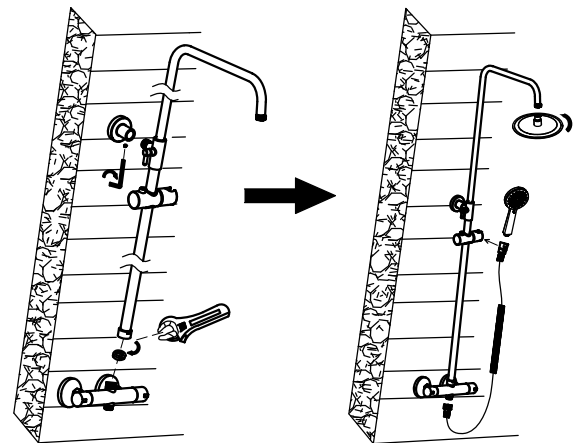
The valve should be installed in accordance with the water bye-laws. For further details refer to the latest copy of Water Bye-laws guide or your local water authority.

1. Fit off-set connectors to the water inlets in the wall, then screw the concealing covers onto the off-set connectors until they come into contact with the wall. Seal with an appropriate sealant.
2. Fix the connector of shower valve to the off-set connectors with spanner. Please use a cotton sheet inside of spanner in case of any scratches. Make sure hot inlet on the left and cold inlet on right, otherwise it will affect the performance.



Measure the installation height of the shower kit with tape. Mark two holes in required position with pen. Drill holes properly with electric drill and place the wall plugs into the holes. Always check before drilling that no cables or pipes can be damaged. Fit the connector to the fixing plate and cover.

3



Align the shower valve and connector and tighten the nuts and using an adjustable spanner. Fit screw to the fixing plate with allen key then secure the rail to the wall. Finally connect the headshower to flexible hose, flexible hose to the mixed water outlet, showerhead to the top of sliding rail (ensure to fit the seals).

TROUBLE SHOOTING

1. Output water temperature does not correspond with temperature set
Cause: Thermostat has not been adjusted base on the existing home water system
Remedy: Adjust the thermostat, refer to "Temperature Setting" procedure.
Cause: Hot Water temperature too low.
Remedy: Adjust the water heater, increase hot water temperature to 65 °C.
2. Crossflow, cold water being forced into hot water pipe, or vice versa, when valve is closed
Cause: Non-return valves dirty or leaking
Remedy: Clean the non-return valves or exchange if necessary
3. Very low flow or no flow
Cause: Supply pressure inadequate
Remedy: Check hot and cold feeds. If a pump has been installed, please check to see if the pump is working. (the valve will shut down if either the cold or hot water supply fails)
4. Water will not run hot enough when first installed
Cause: Wrong maximum temperature setting
Remedy: Adjust the maximum temperature, refer to "Temperature Setting" procedure.

4

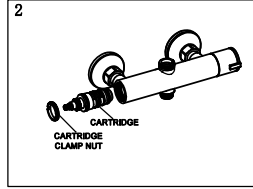
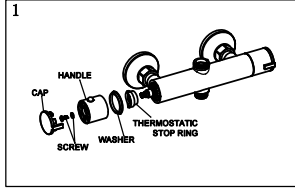
MAINTENANCE (THERMOSTATIC CARTRIDGE)

* After a period of use of the thermostatic mixer, there will be some waste or debris from the water pipe on and around the thermostatic cartridge, which will affect the flow and sensitivity of the thermostat. Please take out the thermostatic cartridge and clean the cartridge strainer. Before removing any parts please turn off water supply.

* To avoid damage, please remove all chrome parts before any maintenance takes place.

- 1) Take off the cap, untighten the screw, to remove handle and washer. Remove the thermostatic stop ring and take note of the position for replacing. (See Fig. 1)
- 2) Untighten the cartridge clamp nut to take out the cartridge. (See Fig. 2)
- 3) Wash the cartridge with clean running water, dry and lightly grease the seals (only use silicone grease).
- 4) Replace the cartridge and make sure it back to the primary position.

* Cartridge Type: " H104 " is the spare part number of thermostatic cartridge.



CLEANING

To maintain the surface of your product, wipe with a clean damp cloth and wipe dry. Do not use abrasive cleaning agents or materials which can strip and scratch the surface; the use of these agents or materials can invalidate your guarantee. It is recommended to wipe and dry on a regular basis.

For more information

• visit betterbathrooms.com

• email customerservices@buyitdirect.co.uk

• call 03303903062

• write to Trident Business Park, Neptune Way, Huddersfield, HD2 1UA

**better
bathrooms**

Part of the BuyItDirect Group